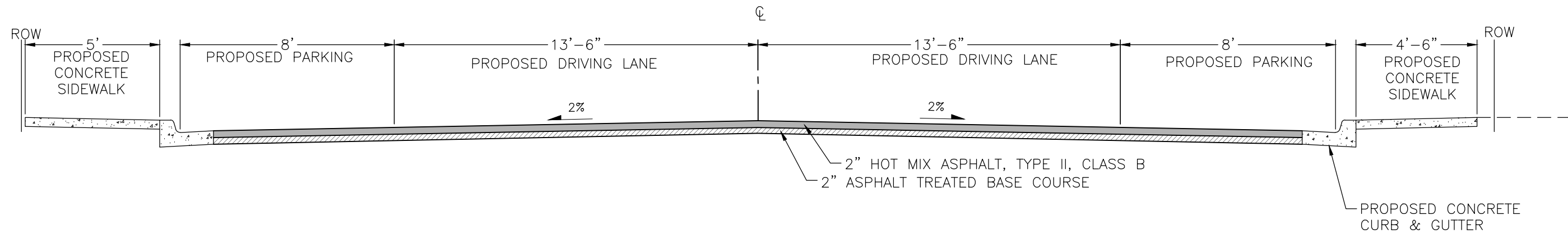


| NO. | DATE | REVISION | STATE | PROJECT DESIGNATION | YEAR | SHEET NO. | TOTAL SHEETS |
|-----|------|----------|--------|---------------------|------|-----------|--------------|
| | | | ALASKA | Z681000000/0933042 | 2017 | B1 | 11 |

FILE Q:\SIT\68100\Plans\2017 Options\Opt. 1\68100_B1_Typ.dwg DATE 5/4/2017 14:08 LAYOUT B1 OPT 1 DESIGNED CI CHECKED --- DRAFTED JT



OPTION 1 PROPOSED TYPICAL SECTION
NTS

- WORK WILL REMAIN WITHIN THE LIMITS OF THE EXISTING ROW
- RELOCATE POWER POLES OUT OF THE ROW
- 13.5' DRIVING LANES: WIDENED FOR VEHICLE & BICYCLE USE
- 8' PARKING LANES WOULD REMAIN ON BOTH SIDES OF SMC
- ADA UPGRADES TO THE SIDEWALK AND CURB RAMPS

STATE OF ALASKA
DEPARTMENT OF TRANSPORTATION
AND PUBLIC FACILITIES
**SIT-SAWMILL CREEK ROAD
RESURFACING AND PEDESTRIAN
IMPROVEMENTS
OPTION 1
TYPICAL SECTION**