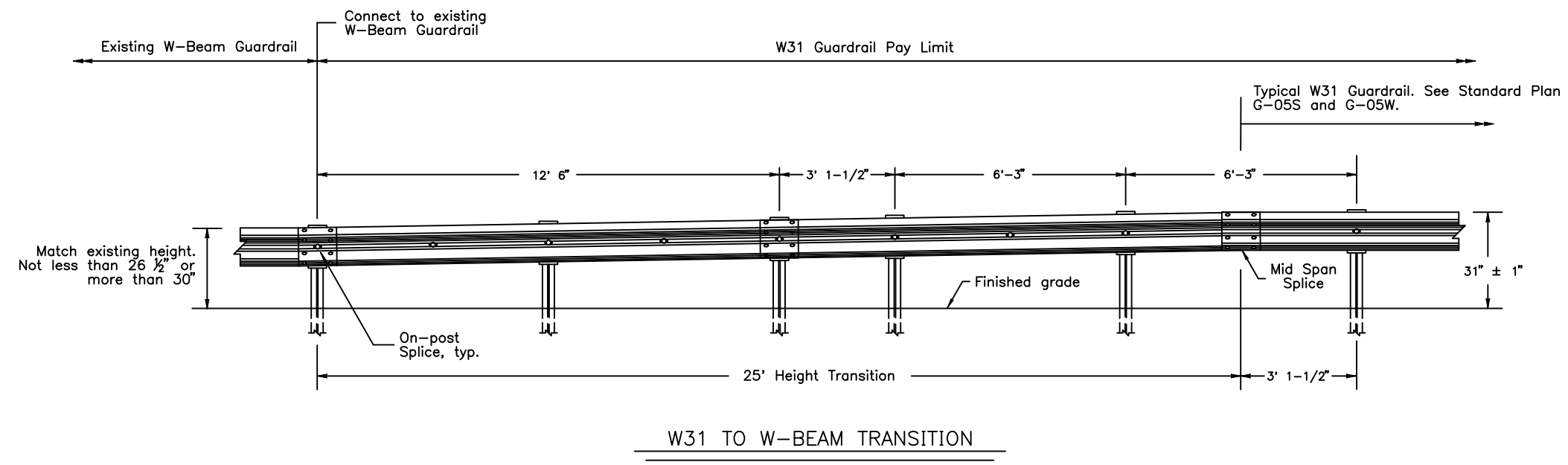


GENERAL NOTES:

1. This drawing illustrates steel post W31 guardrail. Wood posts may be used where noted as applicable to the project.



State of Alaska DOT&PF  
ALASKA STANDARD PLAN

W31 GUARDRAIL  
TRANSITION DETAILS

Adopted as an Alaska Standard Plan by: *Carolyn Morehouse*  
Carolyn Morehouse, P.E.  
Chief Engineer

Adoption Date: 7/17/2020

---

Last Code and Stds. Review  
By: KLK Date: 7/8/2020  
Next Code and Standards Review Date: 7/8/2030

G-11.01